

PVC Single-Union Ball-Valve With BSPT / NPT Thread

Product Technical sheet

ABOUT

- Made of highly resistant uPVC, provides corrosion resistance, durable and reliable valve.
- Fits to all general service applications, commercial plumbing, irrigation, swimming pools etc.
- Highly resistant to chemicals, fertilizers and solvents
- Smooth opening and closing operation.
- Available with ANSI BSPT or NPT (see item numbers below)
- Maximum Working Pressure : 150 psi (10 Bar)
- Working Temperature Range : 0-60°C

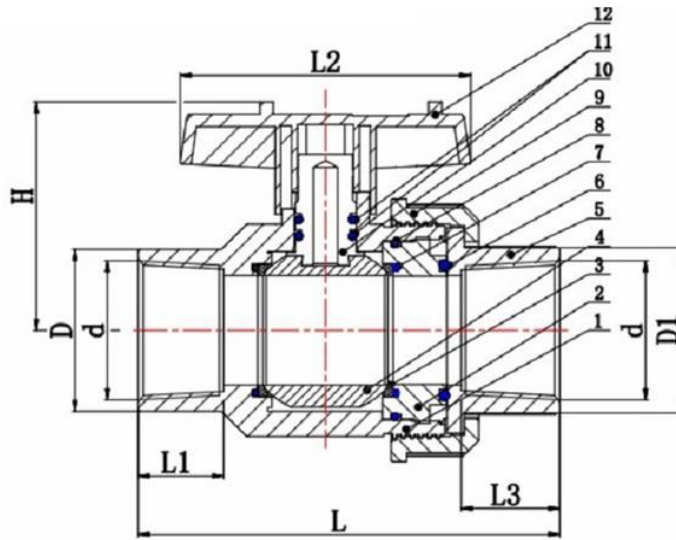


AVAILABLE PRODUCTS

ASTM Size	ISO Size	Single Union NPT Thread	Single Union BSPT Thread
1/2 "	15	170-PV1N 0101-B	170-PV1B 0101-B
3/4 "	20	170-PV1N 0202-B	170-PV1B 0202-B
1 "	25	170-PV1N 0303-B	170-PV1B 0303-B
1-1/4 "	32	170-PV1N 0404-B	170-PV1B 0404-B
1-1/2 "	40	170-PV1N 0505-B	170-PV1B 0505-B
2 "	50	170-PV1N 0606-B	170-PV1B 0606-B
2-1/2 "	65	170-PV1N 0707-B	170-PV1B 0707-B

MATERIALS

#	Part	Raw Material	#	Part	Raw Material
1	Body	PVC	7	O-Ring	NBR
2	Seat Carrier	PVC	8	O-Ring	NBR
3	Seat Seal	PTFE (Teflon)	9	Union Nut	PVC
4	Ball	PVC	10	Stem	PVC
5	End Connector	PVC	11	Stem O-Ring	NBR
6	O-Ring	NBR	12	Handle	ABS



DIMENSIONS

ASTM Size	ISO Size	NPT Thd/In	BSPT Thd/In	d	D (mm)	D1 (mm)	H (mm)	L2 (mm)	L1 (mm)	L3 (mm)	L (mm)
1/2 "	15	14	14	1/2 "	28.5	29.0	53.5	64.0	21.1	23.0	97.0
3/4 "	20	14	14	3/4 "	34.0	36.0	59.0	79.5	25.0	25.0	112.0
1 "	25	11.5	11	1 "	41.0	43.0	68.0	84.0	27.5	27.5	126.0
1-1/4 "	32	11.5	11	1-1/4 "	52.0	53.0	79.0	96.0	28.5	28.5	141.0
1-1/2 "	40	11.5	11	1-1/2 "	60.5	62.0	83.5	116.0	29.0	29.0	167.0
2 "	50	11.5	11	2 "	72.0	77.0	104.0	132.0	30.0	30.0	192.0
2-1/2 "	65	8	11	2-1/2 "	88.0	90.0	124.5	13.0	44.0	43.0	195.3