

Barb Valves

Product Technical sheet

ABOUT

- Plas-fit's Barb valves for dripline irrigation.
- The Barb valves are light-weight, easy to install and suitable for exposure to sunlight (UV) with excellent chemical resistance.
- Barb Valves comply with relevant international standards in terms of dimensions and mechanical properties. To ensure that all requirements of standards and regulations are fulfilled, mini valves are tested regularly and through company's testing procedures.

FEATURES

- Light-weight & easy to install
- Mechanism cannot be dismantled during operation
- Use of top-class raw materials, outdoor resistant with extensive life span
- Robust Design with ease of handling and operation
- Ribbed body to withstand bad-handling
- A quarter turn from ON/OFF position.
- Excellent flow characteristics

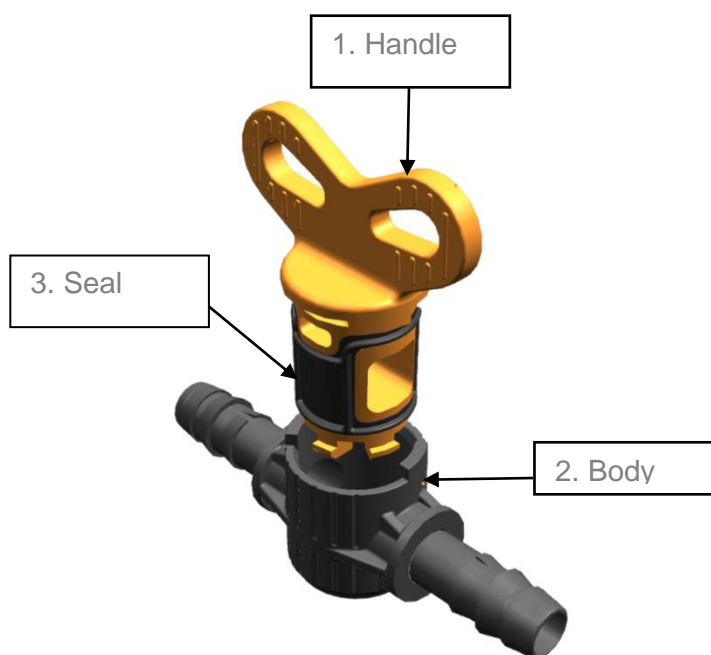


AVAILABLE PRODUCTS

Size	Description	Catalog No.
16x16	BARB VALVE FOR DRIP LINE 16-16	70-16VLB0016
20x20	BARB VALVE FOR DRIP LINE 20-20	70-20VLB0020
16x3/4 "	BARB VALVE FOR DRIP LINE 16-3/4	70-16VLB0102
20x3/4 "	BARB VALVE FOR DRIP LINE 20-3/4	70-20VLB0102

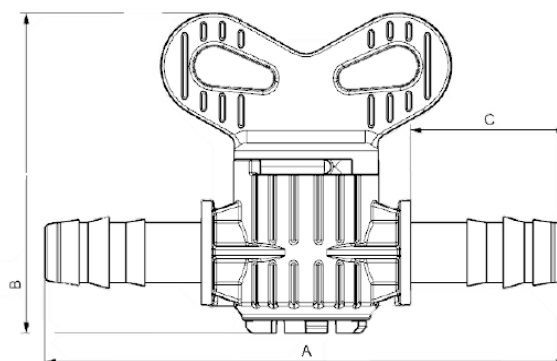
MATERIALS

#	Part	Raw Material
1	Handle	Polypropylene Copolymer
2	Body	POM
3	Seal	EPDM



DIMENSIONS

Size	A (mm)	B (mm)	C (mm)
16x16	85	52	28
20x20	85	52	28



TECHNICAL SPECIFICATIONS

Operating pressure

- up to PN4

Working temperature

- up to 40° and/or the maximum designated by the relevant standard of the pipes in use.

Dimensions and characteristics

- Barbed valves comply with the dimensional requirements of ISO 9911:2006 and any other characteristics of the different combination

Application fields

- Only for irrigation purposes, as a secondary line valve, where flow control is required.

Environment

- The valves are suitable for the transportation of cold water as indicated by the relevant standard.

Weathering

- Valves offer excellent weathering properties which protects against degradation due to ultra- violet radiation. Therefore, their use is permissible on exposed systems without additional protection.